

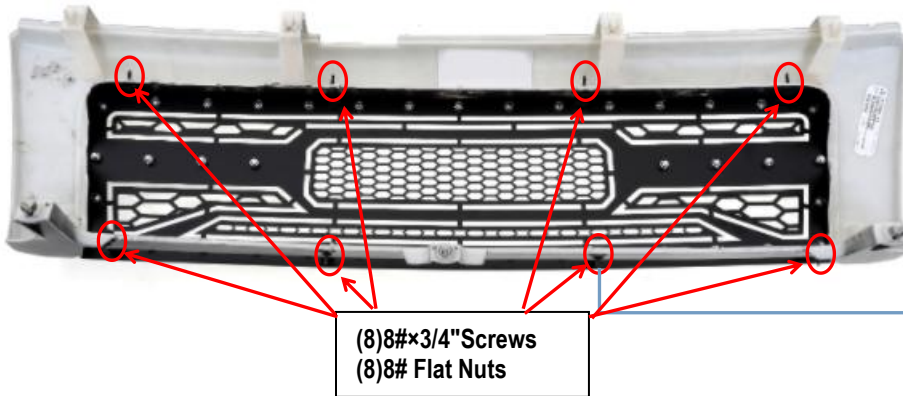


Part#	T45463M	Application	For 1997-1997 Toyota Tacoma 2WD / 1998-2000 Toyota Tacoma All Models
-------	---------	-------------	--

Parts List	Item	Part Name	QTY	Description	Item	Part Name	QTY	Description
	1#	Rivet Grille	1	Stainless steel	3#	Flat Nuts	8	8#
	2#	Screws	8	8#×3/4"				

Install Notes: Overlay Replacement Drill Cut

Step	Description	illustration
1	Identify the grille & hardware with parts list.	
2	Pop hood, remove the factory grille shell by removing the factory retaining clips.	
3	Cut along the factory grille to remove grille.	
4	Hold the Rivet Grille to the opening, mark the drilling location through mounting tabs on the grille. Drill (8) holes with a 6mm drill bit. Secure the grille to the truck with the screws and flat nuts.	



5	Make sure the rivet grille is centered and tighten the fasteners, but do not over-tighten.
---	--


The instruction here is for your reference only. You may need to bend the billet grille bars or tabs a little bit to adjust to fit. We strongly recommend the professional installer for best result. Please use masking tape and tape the OEM grille shell along the edge to protect your vehicle during installation. We are not responsible for any damage caused by the installation. Thank you for choosing our product!



Grille Installation Instruction

Rev. 20220801

Part#	T45463M	Application	For 1997-1997 Toyota Tacoma 2WD / 1998-2000 Toyota Tacoma All Models
-------	---------	-------------	--

6	Reinstall the Shell with the fasteners removed in Step 2.	
7	Installation completed!!!	

The instruction here is for your reference only. You may need to bend the billet grille bars or tabs a little bit to adjust to fit. We strongly recommend the professional installer for best result.
Please use masking tape and tape the OEM grille shell along the edge to protect your vehicle during installation.
We are not responsible for any damage caused by the installation. Thank you for choosing our product!