
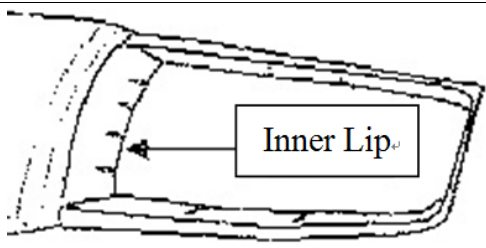


Part#	GR14HED10A/H	Application	For 2004-2006 Nissan Maxima					
-------	--------------	-------------	-----------------------------	--	--	--	--	--

Parts List	Item	Part Name	QTY	Description	Item	Part Name	QTY	Description
	1	Billet Grille	2	Aluminum	3	Clip Nuts	8	8#
2	Truss Head Tapping Screws	8	8#X3/4"					

Install Notes: Overlay Replacement Drill Cut

Step	Description	illustration
1	Identify the grille & hardware with parts list.	
2	Open the hood and remove the factory grille.	
3	Cut the plastic bars out of both openings in the grille. Make your cuts at the base of each bar. Do not cut the grille mounting tabs or the inner lip around each opening. File the cuts smooth. Apply a coat of matt black spray paint to hide the cuts in the openings. Mask the face of the grille and paint the inner lip of each opening. Let the paint dry.	
4	Test fit each billet insert in the openings. Mark or scribe the mounting tab holes to the opening. Drill a 1/8" hole at each mark. Now secure the inserts to the grille shell using the #8 screws and clip nuts.	
5	Make sure the billet grille is centered and tighten the fasteners. but do not over-tighten.	
6	Re-install the grille shell assembly back onto the vehicle.	
7	Installation completed!!!	

The instruction here is for your reference only. You may need to bend the billet grille bars or tabs a little bit to adjust to fit. We strongly recommend the professional installer for best result. Please use masking tape and tape the OEM grille shell along the edge to protect your vehicle during installation. We are not responsible for any damage caused by the installation. Thank you for choosing our product!