



PATENT PRODUCT



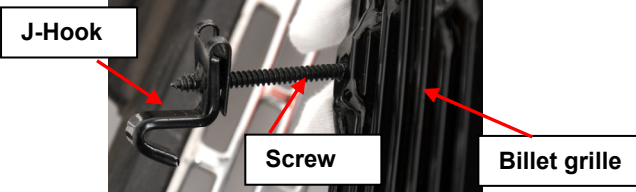
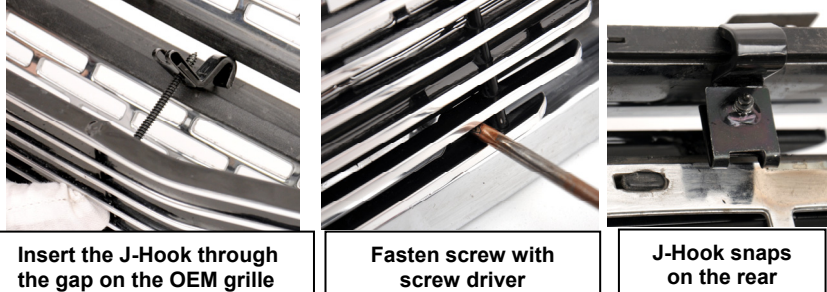
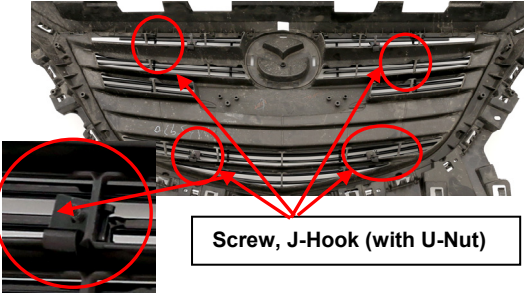

Grille Installation Instruction

Rev. 150201

Part#	GR13FEI70A	Application	2014-On Mazda 3 Main Upper
--------------	------------	--------------------	----------------------------

Parts List	Item	Part Name	QTY	Description	Item	Part Name	QTY	Description
	1	Billet Grille	1	24 Billets	3	J-Tab	4	
	2	U-Clip Nut	4	8#	4	Screw	4	8#*2.5"

Install Notes: Overlay Replacement Drill Cut

Step	Description	illustration
1	Identify the grille & hardware with parts list.	
2	Install the U-Nuts on the J-hooks.	
3	<p>Insert the 8# screws through the weld tab holes on the billet grille from front side. And secure the J-Hooks (with U-Nuts) to the screws.</p> <p>Center the billet grille (with screws, J-Hooks) onto the OEM grille. Insert the J-Hooks to the rear of the OEM grille through the gaps on OEM grille. Secure the billet grille onto the OEM grille using the hooks & screws.</p>	  
4	Make sure the billet grille is centered and tighten the fasteners.	
5	Installation completed!!!	

The instruction here is for your reference only. You may need to bend the grille a little bit to adjust to fit. We strongly recommend the professional installer for best result. We are not responsible for any damage caused by the installation. Thank you for choosing our product!