



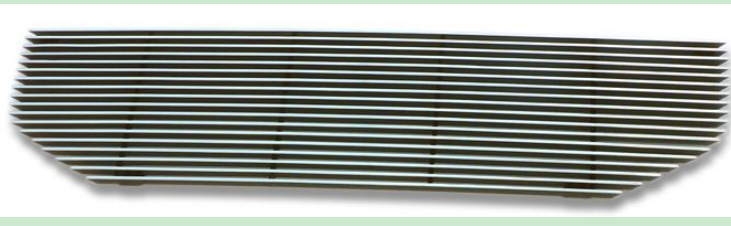
Grille Installation Instruction

Rev. 141001

Part#	GR08HFE97A	Application	09~10 Honda Pilot – Billet Grille					
-------	------------	-------------	-----------------------------------	--	--	--	--	--

Parts List	Item	Part Name	QTY	Description	Item	Part Name	QTY	Description
	1	Billet Grille	1	Aluminum	3	Screws	4	8×1 1/4"
2	Flat Tabs	4		4	U- Clip Nuts	4	8#	

Install Notes: Overlay Replacement Drill Cut

Step	Description	illustration
1	Identify the grille & hardware with parts list.	
2	Remove the plastic push-in clips retaining the trim panel around the hood latch area and remove it. See photo 1.	
3	Remove the 2 10mm hex head bolts retaining the top edge of the factory grille insert. See photo 2.	
4	Lean the grille forward, reach underneath the back side of the bottom edge of the grille and release the 5 plastic push-in clips (same as the ones on the top trim panel) with a short flat blade screwdriver. See photo 3.	
5	Set the grille face down on a soft surface to avoid scratching. Remove the 6 Phillips head screws on the backside that are holding the gray painted center insert to the main grille structure. The locations of the screws are shown by white circles in photo 4. Release the clips around the perimeter of the gray insert and remove it.	
6	Cut the plastic mesh AS CLOSE AS POSSIBLE to the edge of the raised center section and remove it. The cutting lines are shown in white in photo 4, and the finished grille is shown after cutting in photo 5. Do not cut out more than what is shown. The remaining plastic honeycomb mesh will be used to mount the billet insert.	
7	Install the supplied tinnerman clips onto each of the supplied brackets, aligning the hole in the bracket with the hole in the clip, and the flat side of the clip on the black painted side of the bracket.	
8	Center the grille in the opening and push it down so that the bottom of the bottom bar is all the way down to the bottom of the opening. Mark where the upper mounting holes need to be drilled behind the 2 upper mounting brackets.	
9	Remove the grille and drill a 3/16" hole on each of the 2 marks.	
10	Re-insert the grille and secure it using the supplied screws. The screws will go through the face of the grille, through the mounting bracket, through the factory grille, and into the brackets that you assembled in step 6. See photo 6.	

The instruction here is for your reference only. You may need to bend the billet grille bars or tabs a little bit to adjust to fit. We strongly recommend the professional installer for best result. Please use masking tape and tape the OEM grille shell along the edge to protect your vehicle during installation. We are not responsible for any damage caused by the installation. Thank you for choosing our product!

Part#	GR08HFE97A	Application	09~10 Honda Pilot – Billet Grille
-------	------------	-------------	-----------------------------------

11	Re-install the grille assembly and top trim panel onto the vehicle using .all original fasteners.
12	Installation completed!!!

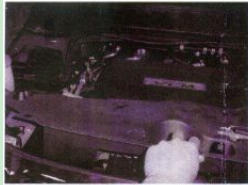


Photo 1



Photo 2



Photo 3

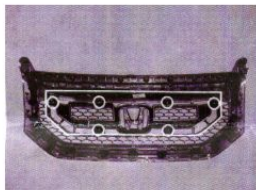


Photo 4

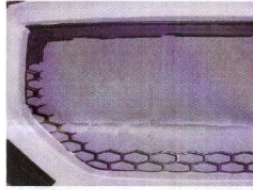
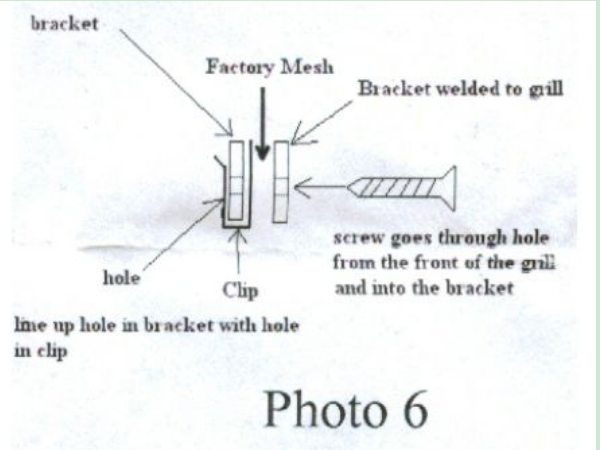


Photo 5



The instruction here is for your reference only. You may need to bend the billet grille bars or tabs a little bit to adjust to fit. We strongly recommend the professional installer for best result. Please use masking tape and tape the OEM grille shell along the edge to protect your vehicle during installation. We are not responsible for any damage caused by the installation. Thank you for choosing our product!