



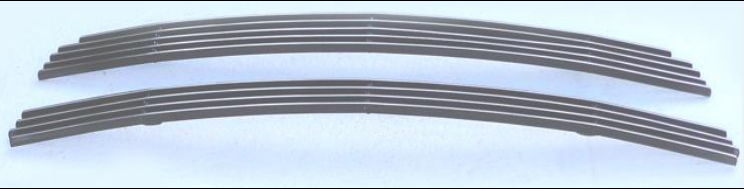
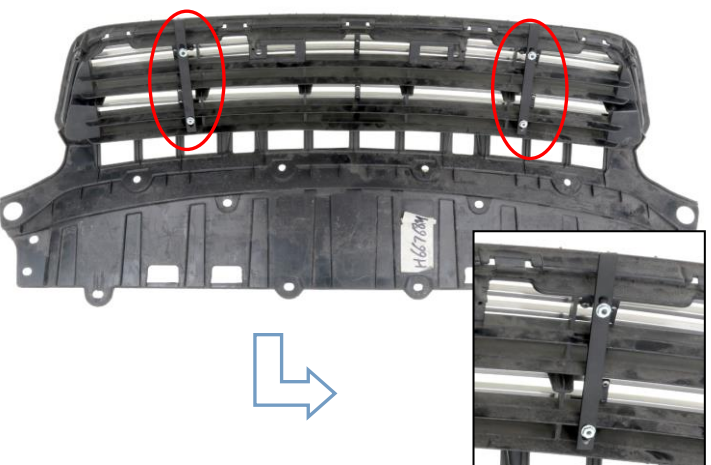

Grille Installation Instruction

Rev. 190601

Part#	GR08FFG68 A/H	Application	For 2009-2011 Honda Civic Sedan/2009-2011 Honda Civic Hybrid Sedan
-------	------------------	-------------	--

Parts List	Item	Part Name	QTY	Description	Item	Part Name	QTY	Description
	1	Billet Grille	2	Aluminum	3	Fully Threaded Studs	4	6-32×1 1/2"
	2	K-Lock Nuts	4	6#	4	Powder Coated Brackets	2	

Install Notes: Overlay Replacement Drill Cut

Step	Description	illustration
1	Identify the grille & hardware with parts list.	
2	Remove the plastic clips that hold the upper factory grille shell in and remove the grille shell. This is to gain access to the backside of the bumper opening.	
3	Install the fully threaded studs into the holes on the backside of the billet grille.	
4	Center the billet grille into the bumper pocket.	
5	Place the powder coated brackets over the fully threaded studs and holds in place using the k-lock nuts.	
6	Re-center the billet grille and then secure all hardware.	
7	Installation completed!!!	

The instruction here is for your reference only. You may need to bend the billet grille bars or tabs a little bit to adjust to fit. We strongly recommend the professional installer for best result. Please use masking tape and tape the OEM grille shell along the edge to protect your vehicle during installation. We are not responsible for any damage caused by the installation. Thank you for choosing our product!