



# PATENT PRODUCT Grille Installation Instruction

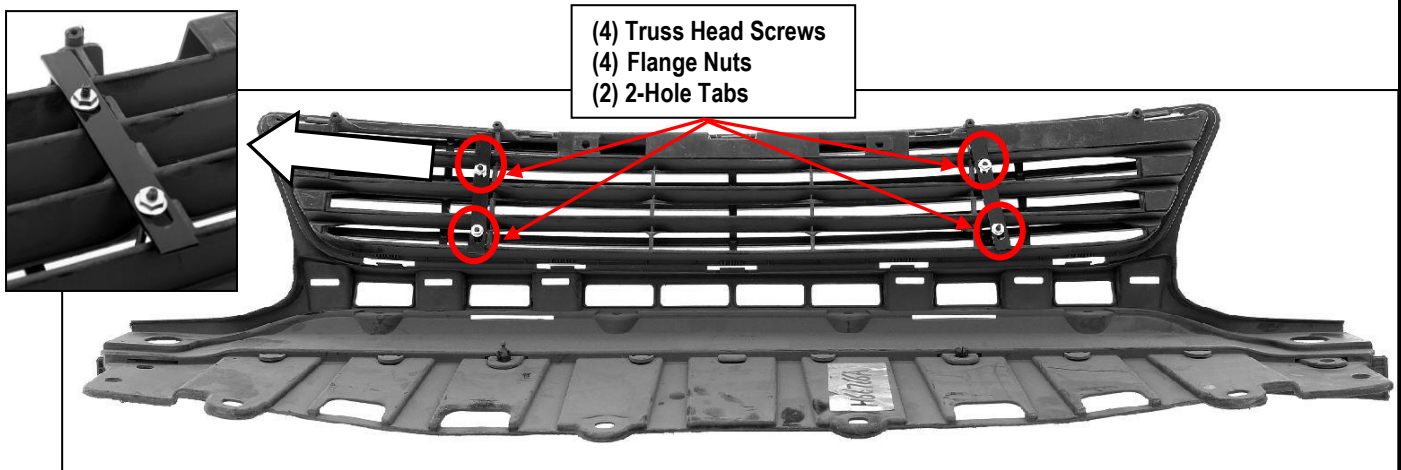
Rev. 20201201

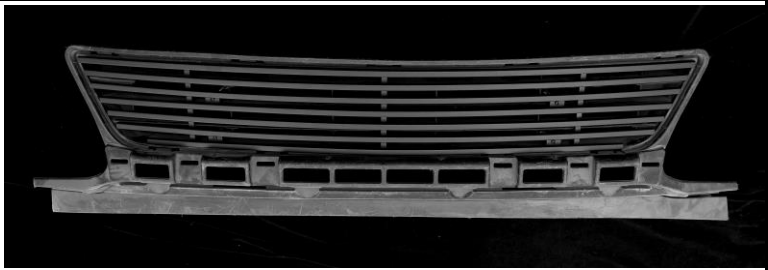
<b>Part#</b>	H66766C&J&S	<b>Application</b>	For 2009-2011 Honda Civic Coupe
--------------	-------------	--------------------	---------------------------------

	Item	Part Name	QTY	Description	Item	Part Name	QTY	Description
<b>Parts List</b>	#1	Billet Grille	1	Stainless Steel	#3	Truss Head Screws	4	6-32x2"
	#2	Flange Nuts	4	6-32	#4	2-Hole Tabs	2	

**Install Notes:** Overlay  Replacement  Drill  Cut

Step	Description	illustration
1	Identify the grille & hardware with parts list.	
2	Optional: pop hood, remove the black plastic cover (on top of OEM grille) from vehicle. If you are still unable to access the rear, remove the grille shell according to factory manual.	
3	Thread a Truss Head Screw in each nut welded to the grille. From the rear, place the 2-Hole Tabs on the screws. Now thread a Flange Nut on each Truss Head Screw.	



4	Make sure the insert is centered and tighten the hardware.	
5	Reinstall the plastic shroud with the fasteners removed in Step 2.	
6	Installation completed.	

The instruction here is for your reference only. We strongly recommend the professional installer for best result. We are not responsible for any damage caused by the installation. Thank you for choosing our product!