



PATENT PRODUCT


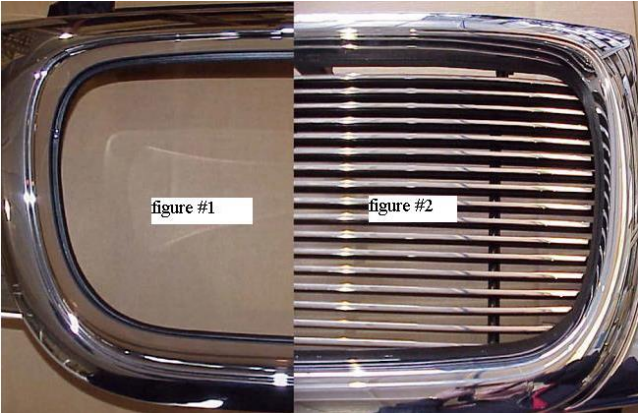
Grille Installation Instruction

Rev. 190301

Part#	GR07HEC69 C/J/S	Application	For 1999-2000 GMC Sierra 1500 Not For HD/ 2000-2006 GMC Yukon / 2001-2006 GMC Yukon Denali / 2001-2002 GMC Sierra All Model/ 2001-2001 GMC Sierra C3 / 2002-2006 GMC Sierra Denali
-------	--------------------	-------------	--

Parts List	Item	Part Name	QTY	Description	Item	Part Name	QTY	Description
	1	Billet Grille	1	Stainless steel	6	Truss Socket Tapping Screws	2	10x3/4"
	2	L Shape Tabs	6		7	Truss Head Tapping Screws	2	8x3/4"
	3	U- Clip Nuts	2	8#	8	Truss Head Tapping Screws	2	10x3/4"
	4	U- Clip Nuts	4	10#	9	Hex Bolts	4	1/4" -20x3/4"
	5	Kep Nuts	4	1/4"				

Install Notes: Overlay Replacement Drill Cut

Step	Description	illustration
1	Identify the grille & hardware with parts list.	
2	Remove factory grille shell from vehicle.	
3	On all trucks except Denali and C3 cut the stock grill center out and sand smooth the opening. On Denali and C3 remove the center section by cutting the plastic welds that hold the center section only. Do not cut the plastic welds that hold the inner and outer halves together. Then sand down the mounting bosses until you have a uniform opening all the way around. The Billet grille mounts to the backside of your grille shell. So all plastic protruding from the flat part of the shell opening must be sanded flat except the plastic welds holding the two halves together.	

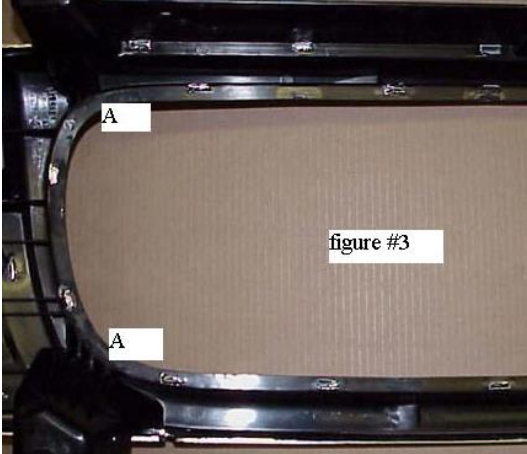
The instruction here is for your reference only. You may need to bend the billet grille bars or tabs a little bit to adjust to fit. We strongly recommend the professional installer for best result. Please use masking tape and tape the OEM grille shell along the edge to protect your vehicle during installation. We are not responsible for any damage caused by the installation. Thank you for choosing our product!



PATENT PRODUCT

Grille Installation Instruction

Rev. 190301

Part#	GR07HEC69 C/J/S	Application	For 1999-2000 GMC Sierra 1500 Not For HD/ 2000-2006 GMC Yukon / 2001-2006 GMC Yukon Denali / 2001-2002 GMC Sierra All Model/ 2001-2001 GMC Sierra C3 / 2002-2006 GMC Sierra Denali
4	<p>Set the billet grille into the opening in the backside of your grille shell. On Denali & C3 some trimming of reinforcing ribs will be necessary. Loosely mount two of the long L tabs to the top tabs of the billet grill with the bolts & nuts provided. With the billet grille centered top to bottom & side to side drill through the brackets and shell with a 3/16" bit. Install two U-clip nuts to the top of the L brackets and secure to the shell with the two wafer head screws provided.</p>		
5	<p>On all trucks except Denali & C3 install two U-clip nuts on two of the medium length tabs and secure to the billet grille with the two countersunk head screws. On Denali & C3 follow the same procedure however use the long L tabs provided. Now mount the two small L tabs to the tabs you just installed with the two pan head screws provided. Drill 2 holes through the tabs with a 1/4" bit and fasten tab to shell with the two bolts & nuts provided.</p>		
6	<p>Make sure the billet grille is tight against back of shell and centered up & down and tighten all fasteners.</p>		
7	<p>Installation completed!!!</p>		

The instruction here is for your reference only. You may need to bend the billet grille bars or tabs a little bit to adjust to fit. We strongly recommend the professional installer for best result. Please use masking tape and tape the OEM grille shell along the edge to protect your vehicle during installation. We are not responsible for any damage caused by the installation. Thank you for choosing our product!