



# PATENT PRODUCT

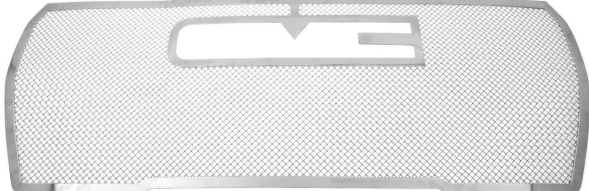
## Grille Installation Instruction

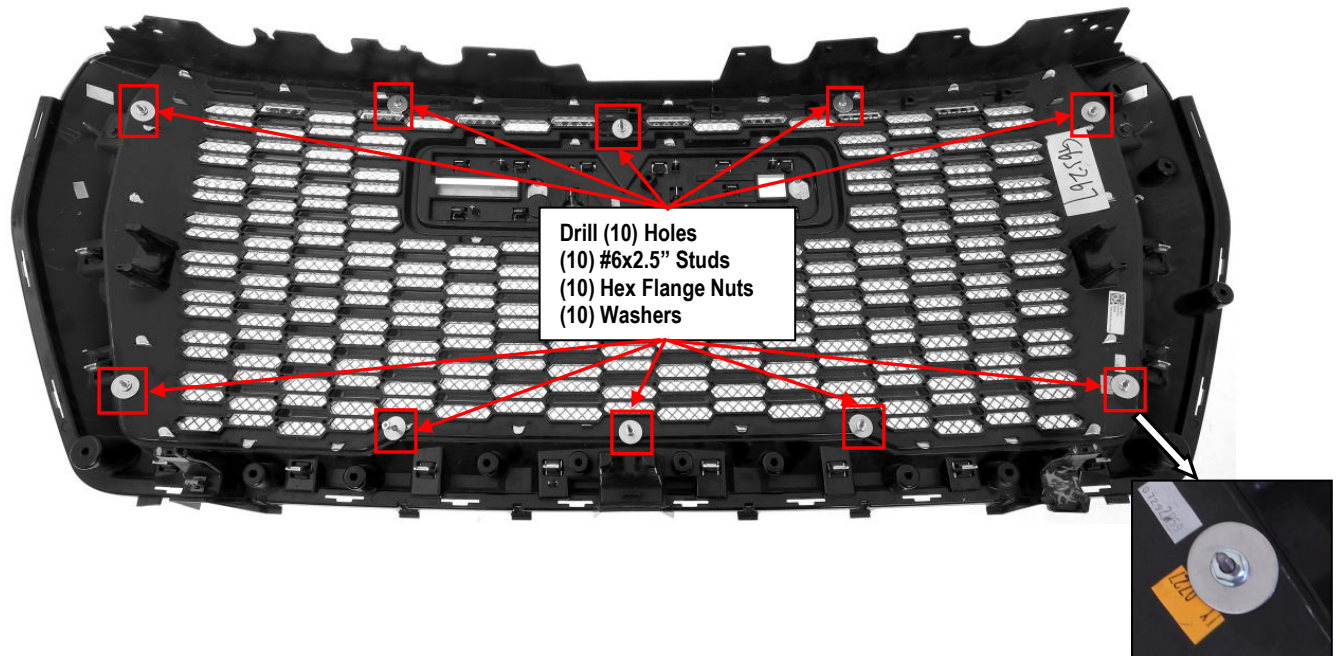
Rev. 20230101

<b>Part#</b>	G75267T&H	<b>Application</b>	For 2021-2023 GMC Yukon Denali
--------------	-----------	--------------------	--------------------------------

Parts List	Item	Part Name	QTY	Description	Item	Part Name	QTY	Description
	#1	Mesh Grille	1	Stainless Steel	#3	Hex Flange Nuts	10	#6
	#2	Studs	10	#6x2.5"-32	#4	Washers	10	

Install Notes: **Overlay**  **Replacement**  **Drill**  **Cut**

Step	Description	illustration
1	Identify the grille & hardware with parts list.	
2	Optional: pop hood, remove the black plastic cover (on top of OEM grille) from vehicle. If you are still unable to access the rear, remove the grille shell according to factory manual.	
3	Hold the mesh grille against the OEM grille shell, center and mark (10) holes for drilling. Remove grille and drill holes according to your mark.	
4	Thread a Stud in each nut welded to the grille. From the rear, place a Tab on each Stud. Now thread a Hex Flange Nut on each Stud.	



The instruction here is for your reference only. We strongly recommend the professional installer for best result. We are not responsible for any damage caused by the installation. Thank you for choosing our product!



# PATENT PRODUCT Grille Installation Instruction

Rev. 20230101

<b>Part#</b>	G75267T&H	<b>Application</b>	For 2021-2023 GMC Yukon Denali
--------------	-----------	--------------------	--------------------------------

5	Make sure the insert is centered and tighten the hardware.	
6	Reinstall the plastic shroud with the fasteners removed in Step 2.	
7	Installation completed.	

The instruction here is for your reference only. We strongly recommend the professional installer for best result. We are not responsible for any damage caused by the installation. Thank you for choosing our product!