



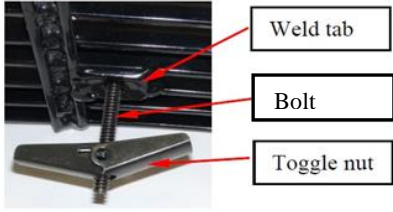
PATENT PRODUCT Grille Installation Instruction

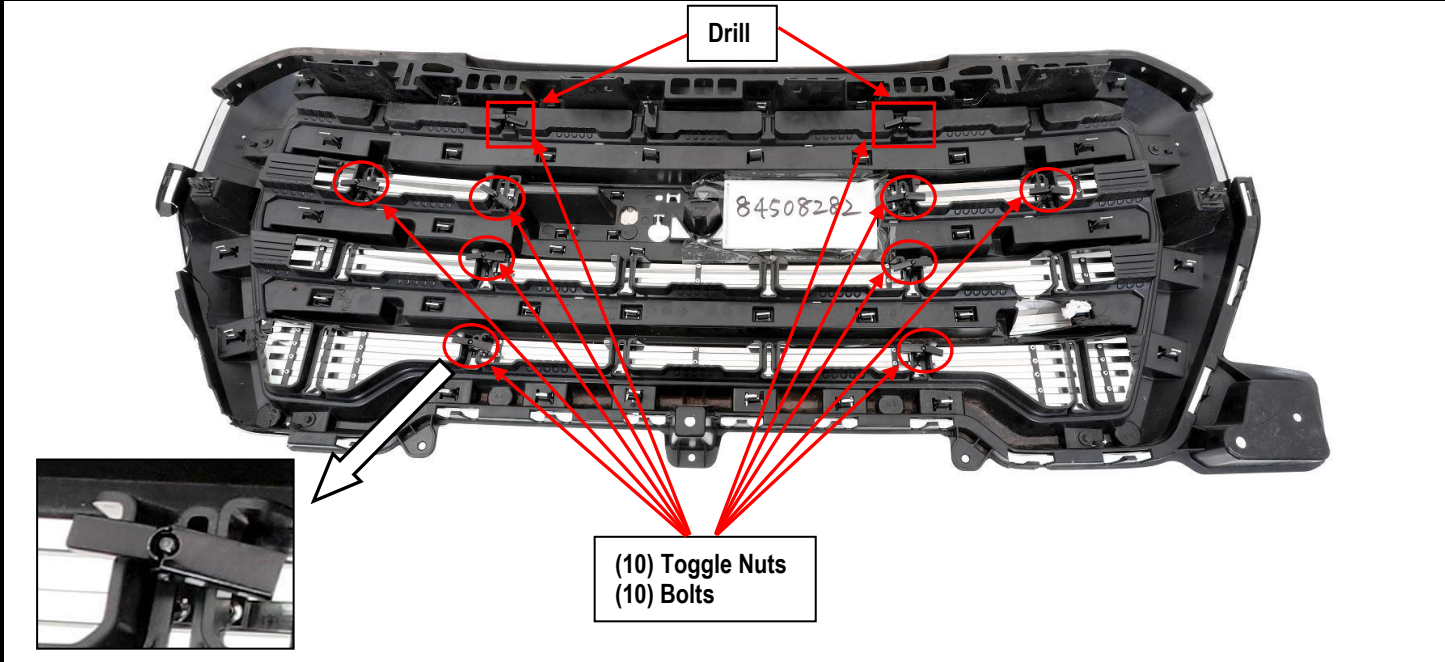
Rev. 20210901

| | | | |
|--------------|-------------|--------------------|--|
| Part# | G65033C&J&S | Application | For 2019-UP GMC Sierra 1500 SLE/ Elevation |
|--------------|-------------|--------------------|--|

| Parts List | Item | Part Name | QTY | Description | Item | Part Name | QTY | Description |
|------------|------|---------------|-----|-----------------|------|-------------|-----|-------------|
| | #1 | Billet Grille | 1 | Stainless Steel | #3 | Toggle Nuts | 10 | 6# |
| | #2 | Bolts | 10 | 6#-1.5" | | | | |

Install Notes: Overlay Replacement Drill Cut

| Step | Description | illustration |
|------|--|---|
| 1 | Identify the grille & hardware with parts list. | |
| 2 | Optional: pop hood, remove the black plastic cover (on top of OEM grille) from vehicle. If you are still unable to access the rear, remove the grille shell according to factory manual. | |
| 3 | Insert the Bolt into the weld tab hole from front side of the billet grille. | <div style="display: flex; align-items: center;"> <div style="border: 1px solid black; padding: 5px; margin-right: 10px;"> <p>picture for reference only; this is not actual grille</p> </div>  </div> |
| 4 | Hold the billet grille against the OEM grille shell, center and mark (2) holes for drilling. Remove billet grille and drill holes according to your mark. | |
| 5 | Center the billet grille onto the OEM grille. Press & insert the toggle nuts on to the rear of the OEM grille through the gap. | |




The instruction here is for your reference only. We strongly recommend the professional installer for best result. We are not responsible for any damage caused by the installation. Thank you for choosing our product!



PATENT PRODUCT Grille Installation Instruction

Rev. 20210901

| Part# | G65033C&J&S | Application | For 2019-UP GMC Sierra 1500 SLE/ Elevation |
|-------|--|-------------|--|
| 6 | Make sure the insert is centered and tighten the hardware. | | |
| 7 | Reinstall the plastic shroud with the fasteners removed in Step 2. | | |
| 8 | Installation completed. | |  |

The instruction here is for your reference only. We strongly recommend the professional installer for best result. We are not responsible for any damage caused by the installation. Thank you for choosing our product!