



PATENT PRODUCT


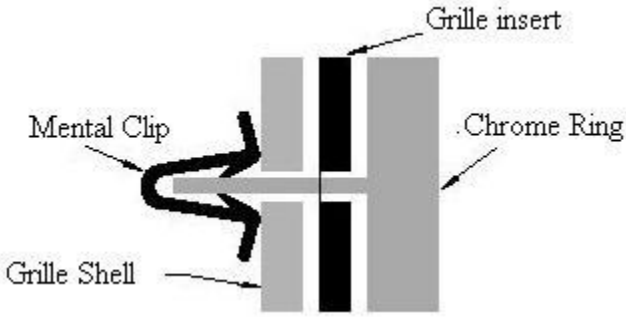
Grille Installation Instruction

Rev. 200801


Part#	GR06HGI93C	Application	For 2003-2006 Ford Expedition
--------------	------------	--------------------	-------------------------------

Parts List	Item	Part Name	QTY	Description	Item	Part Name	QTY	Description
	1	Billet Grille	2	Stainless steel	7	Flat Tabs	2	/
	2	Shape Tabs	6	/	8	Truss Head Screws	6	1/4"-20x3/4"
	3	Truss Head Tapping Screws	6	10x3/4"	9	U- Clip Nuts	6	10#
	4	U- Clip Nuts	4	1/4"	10	Kep Nuts	4	1/4"
	5	Plastic Panel Retainer	6	Φ7.5x27	11	Hex Bolts	2	1/4" -20x3/4"
	6	U- Clip Nuts	2	8#	12	Truss Socket Tapping Screws	2	8#x1"

Install Notes: Overlay Replacement Drill Cut

Step	Description	illustration
1	Identify the grille & hardware with parts list.	
2	Start with the upper section. Remove plastic fasteners from top of filler panel between core support and grille shell. Save fasteners. Set panel aside.	
3	Remove 8 metal clips that fasten the grille shell chrome ring to the grille shell. Two on each side and four on the bottom. (Note: Pry these off with a stubby screwdriver, or slide sideways, don't pull them. See illustration. If you are unable to remove these, the grille shell will have to be removed to access clips.)	

The instruction here is for your reference only. You may need to bend the billet grille bars or tabs a little bit to adjust to fit. We strongly recommend the professional installer for best result.
 Please use masking tape and tape the OEM grille shell along the edge to protect your vehicle during installation.
 We are not responsible for any damage caused by the installation. Thank you for choosing our product!

Part#	GR06HGI93C	Application	For 2003-2006 Ford Expedition
4	Remove chrome ring and grille insert. Unclip nine plastic tabs that hold grill insert to chrome ring.		
5	Attach four bent aluminum tabs to back of upper mounting tabs, with U-clip nuts on short side of tab. Attach two flat aluminum tabs to top of lower mounting tabs with U-clip nuts on lower mounting tab.		
6	Drill out four holes in core support nearest front of vehicle to 5/16". Slide on deep panel nuts. Trim plastic near outer holes as necessary.		
7	Set billet grille in grille shell. Place chrome ring in grille shell. Use masking tape to hold chrome ring in position. Push billet grille flush to chrome ring and mark location of center of each lower mounting tab slot. Holes must be at least 11" apart (angled out) to clear plastic web on opposite side. Drill with a 1/4" drill bit.		
8	Cut off tips of four factory fender washers that attached filler panel. Drill out holes to 1/4". Mount top of billet grille with 1/4 -20 pan head bolts with modified factory washer		
9	Attach lower mounting tabs with 1/4 -20 pan head bolts and kep nuts. Remove three tree fasteners holding rubber panel underneath to attach nuts. Reinstall filler panel.		
10	Remove masking tape. Reattach chrome ring with six metal clips. (These must be re-bent before installing).		
11	Continue to the lower section. Remove the three plastic panel retainers that hold the rubber splash guard to the front cross bar. This allows you room to access the grille from the backside. Note: If you have an Expedition NBX, please cut out the factory bumper grille bars (one horizontal, 2 vertical) along with the opening border.		
12	Insert the grille from the front of the vehicle. Rotate it if necessary to get it in the hole.		
13	Attach the U- clip nuts to the tab provided in the kit. Be sure to place the clip on the short end.		
14	Attach the mounting shape tab to the grille using the screw in the kit. The tab may need bent just a little to make sure it fits flat against the bottom of the steel cross bar.		
15	Using the hole in the tab as a guide, mark and drill a 1/4" hole in the steel cross bar. Make sure the billet grille is sitting flush against the backside of the bumper cover before you drill. This will ensure a proper fit.		


The instruction here is for your reference only. You may need to bend the billet grille bars or tabs a little bit to adjust to fit. We strongly recommend the professional installer for best result.
Please use masking tape and tape the OEM grille shell along the edge to protect your vehicle during installation.
We are not responsible for any damage caused by the installation. Thank you for choosing our product!



PATENT PRODUCT

Grille Installation Instruction

Rev. 200801

Part#	GR06HGI93C	Application	For 2003-2006 Ford Expedition
16	Once the holes are drilled, attach with the nuts and bolts provided		
17	Make sure the billet grille is centered and tighten the fasteners, but do not over-tighten.		
18	Reinstall the black plastic cover which was removed.		
19	Installation completed!!!		

The instruction here is for your reference only. You may need to bend the billet grille bars or tabs a little bit to adjust to fit. We strongly recommend the professional installer for best result.
Please use masking tape and tape the OEM grille shell along the edge to protect your vehicle during installation.
We are not responsible for any damage caused by the installation. Thank you for choosing our product!