


| | | | |
|-------|------------|-------------|---|
| Part# | GR06HEJ07C | Application | For 1992-1996 Ford Bronco /F-150 /F-250 /F-350 |
|-------|------------|-------------|---|

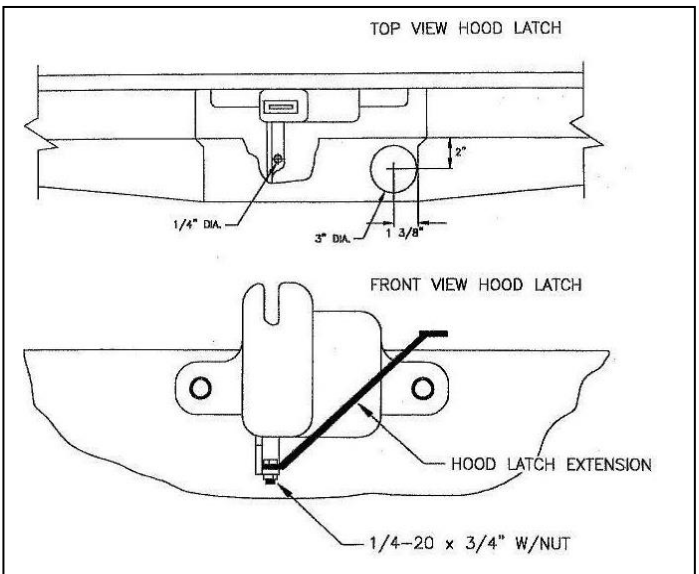
| Parts List | Item | Part Name | QTY | Description | Item | Part Name | QTY | Description |
|------------|------|---------------|-----|-----------------|------|-----------------------------|-----|-------------|
| | 1 | Billet Grille | 1 | Stainless steel | 4 | Hood Latch Extension | 1 | |
| | 2 | Kep Nut | 1 | 1/4" -20 | 5 | Truss Socket Tapping Screws | 3 | 10x3/4" |
| | 3 | Hex Bolt | 1 | 1/4" -20x3/4" | | | | |

Install Notes:
 Overlay
 Replacement
 Drill
 Cut

| Step | Description | illustration |
|------|-------------|--------------|
|------|-------------|--------------|

| | | |
|---|---|--|
| 1 | Identify the grille & hardware with parts list. |  |
|---|---|--|

| | | |
|---|---|--|
| 2 | Optional for vehicles with black plastic cover under hood. Pop hood, remove the black plastic cover (on top of OEM grille / front panel) from vehicle. This will allow access to the rear of the grille shell. If you are still unable to access the rear, remove the grille shell and reattach after installation. | |
|---|---|--|

| | | |
|---|--|---|
| 3 | Mark the plastic shroud as shown per illustration for drilling. Using a 3" hole saw, cut through the shroud. |  |
|---|--|---|

| | | | |
|---|---|---|---|
| 4 | Using a small C- clamp or vise grips, hold hood latch extension in place and drill a 1/4" hole in the factory hood latch. Attach extender using the 1/4-20x3/4" bolt and nut provided. Check extender for fit and alignment prior to mounting the grille. | 5 | Center the aluminum grille in the opening (bottom tabs should align with the indentations in the plastic part of the radiator support). Adjust tabs with pliers if necessary. |
|---|---|---|---|

| | | | |
|---|--|---|--|
| 6 | Center the billet grille into the opening of the factory grille shell. Secure the bolt to the threaded holes on the front of the grille. Be sure the bolts are through the OEM grille shell. | 7 | Secure billet grille using the k-lock nuts from the back side of the OEM grille shell. |
|---|--|---|--|

| | |
|---|---|
| 8 | Make sure the billet grille is centered and tighten the fasteners, but do not over-tighten. |
|---|---|

| | |
|---|--|
| 9 | Reinstall the black plastic cover which was removed in step 2. |
|---|--|

| | |
|----|-------------------------|
| 10 | Installation completed. |
|----|-------------------------|

The instruction here is for your reference only. You may need to bend the grille a little bit to adjust to fit. We strongly recommend the professional installer for best result. We are not responsible for any damage caused by the installation. Thank you for choosing our product!