



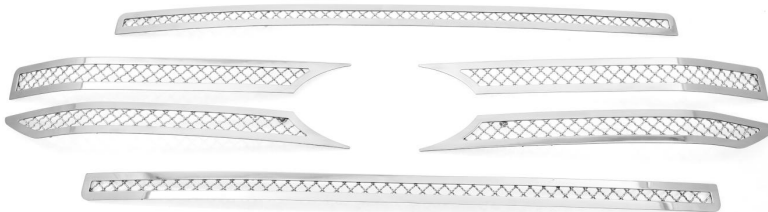
PATENT PRODUCT Grille Installation Instruction

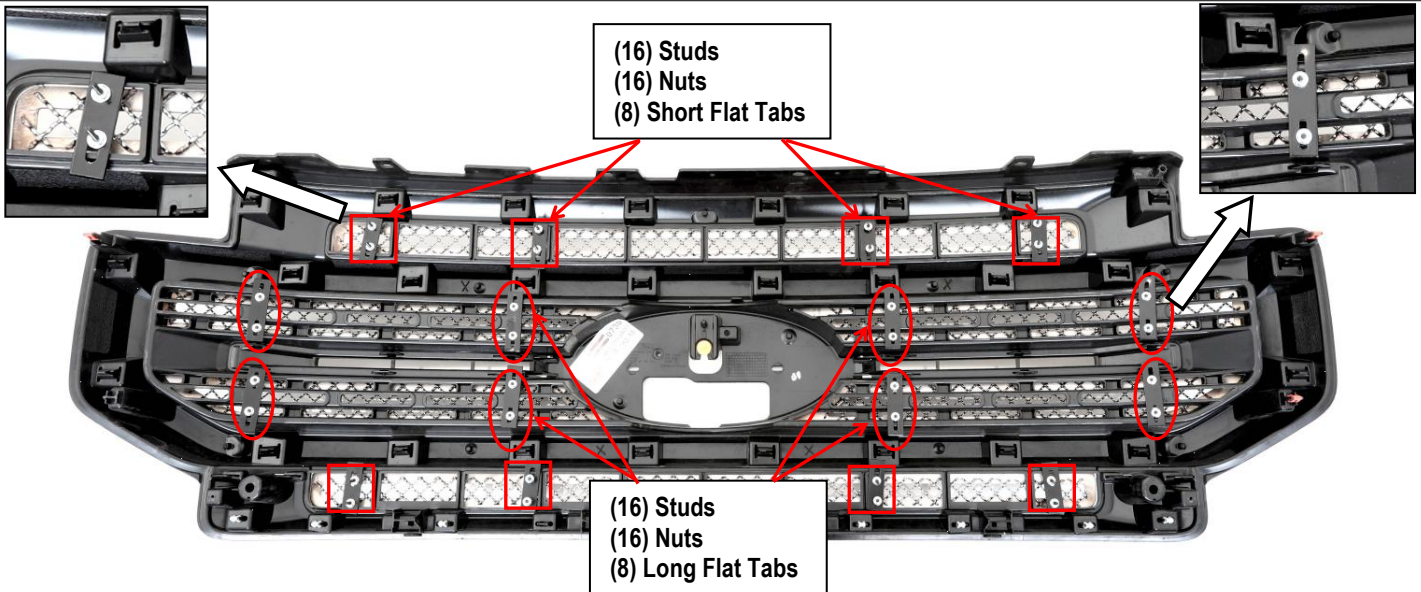
Rev. 20220101

Part#	F75080C&J&S	Application	For 2020-UP Ford F-250/F-350 Lariat
--------------	-------------	--------------------	-------------------------------------

	Item	Part Name	QTY	Description	Item	Part Name	QTY	Description
Parts List	#1	Mesh Grille	1	Stainless Steel	#4	Short Flat Tabs	8	
	#2	Studs	32	#6-32x1.5	#5	Long Flat Tabs	8	
	#3	Nuts	32	#6				

Install Notes: Overlay Replacement Drill Cut

Step	Description	illustration
1	Identify the grille & hardware with parts list.	
2	Optional: pop hood, remove the black plastic cover (on top of OEM grille) from vehicle. If you are still unable to access the rear, remove the grille shell according to factory manual.	
3	Thread a stud in each nut welded to the grille. From the rear, place a flat tab and a washer on each stud. Now thread a nut on each stud.	




The instruction here is for your reference only. We strongly recommend the professional installer for best result. We are not responsible for any damage caused by the installation. Thank you for choosing our product!



PATENT PRODUCT Grille Installation Instruction

Rev. 20220101

Part#	F75080C&J&S	Application	For 2020-UP Ford F-250/F-350 Lariat
4	Make sure the insert is centered and tighten the hardware.		
5	Reinstall the plastic shroud with the fasteners removed in Step 2.		
6	Installation completed.		

The instruction here is for your reference only. We strongly recommend the professional installer for best result. We are not responsible for any damage caused by the installation. Thank you for choosing our product!