



# PATENT PRODUCT

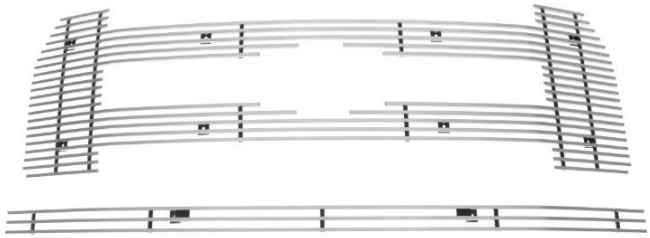
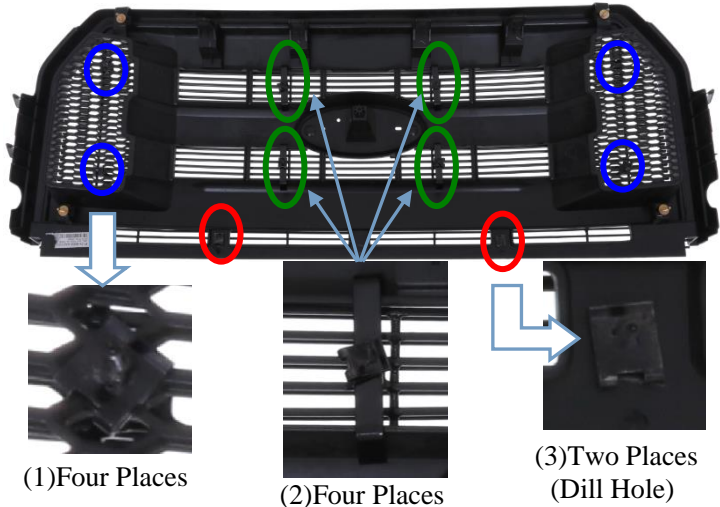

## Grille Installation Instruction

Rev. 170901

Part#	GR06FFC11C	Application	For 2015-2017 Ford F-150 only for XL Main Upper
-------	------------	-------------	---

Parts List	Item	Part Name	QTY	Description	Item	Part Name	QTY	Description
	1	Billet Grille	2	Stainless steel	4	Cross Head Tapping Screws	4	117#
	2	Flat Tab	4	68#	5	Cross Head Tapping Screws	4	116#
	3	U-Clip	10	74#	6	Cross Head Tapping Screws	2	40#

Install Notes: Overlay  Replacement  Drill  Cut

Step	Description	illustration
1	Identify the grille & hardware with parts list.	
2	Optional (for vehicles with black plastic cover under hood), Pop hood, remove the black plastic cover (on top of OEM grille / front panel) from vehicle. This will allow access to the rear of the grille shell.	
3	Hold the billet insert up to the opening of the factory shell, and make sure that it is centered in the grille shell.	
4	<p>(1) Place screws through the welded aluminum tabs on the grille, and attach a U-clip nut on backside of factory grille.</p> <p>(2) Slide one U-clip nut on each flat tabs. Place screws through the welded aluminum tabs on the grille, and attach a flat tab on backside of factory grille.</p> <p>(3) Mark and drill two holes. Place screws through the welded aluminum tabs on the grille, and attach a U-clip nut on backside of factory grille.</p>	 <p style="text-align: center;">(1) Four Places      (2) Four Places      (3) Two Places (Dill Hole)</p>
5	Make sure the billet grille is centered and tighten the fasteners. but do not over-tighten.	
6	Reinstall the black plastic cover which was removed in step 2.	
7	Installation completed!!!	

The instruction here is for your reference only. You may need to bend the grille a little bit to adjust to fit. We strongly recommend the professional installer for best result. We are not responsible for any damage caused by the installation. Thank you for choosing our product!