



PATENT PRODUCT

Grille Installation Instruction

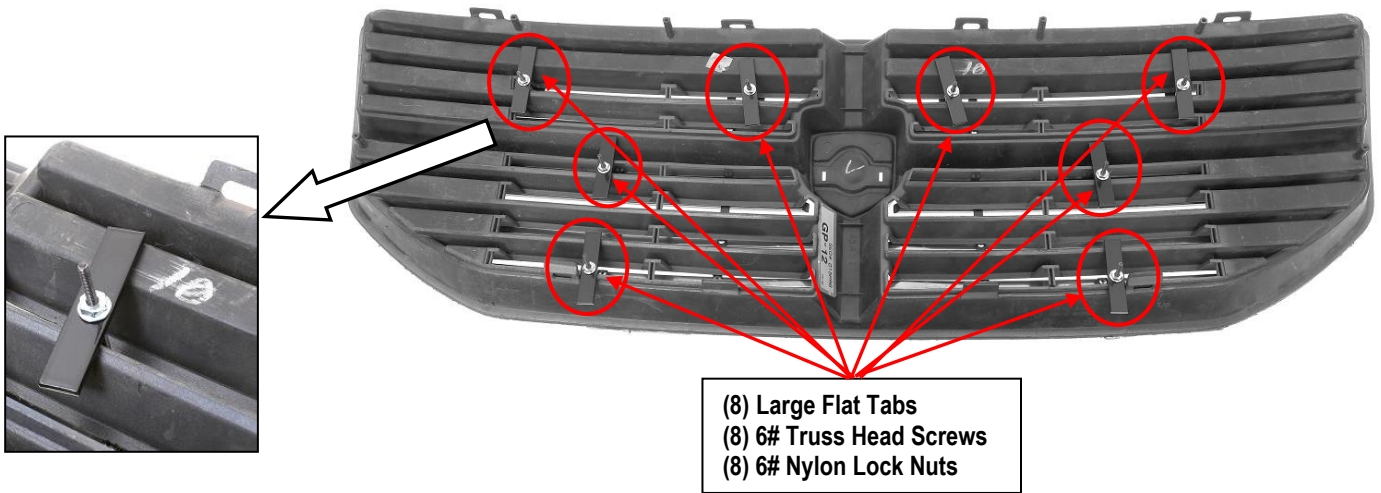
Rev. 20210401

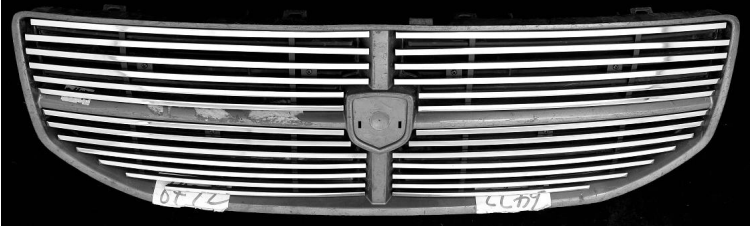
Part#	D66472C&J&S	Application	For 2006-2012 Dodge Caliber
--------------	-------------	--------------------	-----------------------------

Parts List	Item	Part Name	QTY	Description	Item	Part Name	QTY	Description
	#1	Billet Grille	1	Stainless Steel	#3	Truss Head Screws	8	6# - 32x2"
	#2	Large Flat Tabs	8		#4	Nylon Lock Nuts	8	6# - 32

Install Notes: Overlay Replacement Drill Cut

Step	Description	illustration
1	Identify the grille & hardware with parts list.	
2	Optional: pop hood, remove the black plastic cover (on top of OEM grille) from vehicle. If you are still unable to access the rear, remove the grille shell according to factory manual.	
3	Thread a Truss Head Screw in each nut welded to the grille. From the rear, place a Flat Tab and a Washer on each Screw. Now thread a Nylon Lock Nut on each Screw.	



4	Make sure the insert is centered and tighten the hardware.	
5	Reinstall the plastic shroud with the fasteners removed in Step 2 .	
6	Installation completed.	

The instruction here is for your reference only. We strongly recommend the professional installer for best result. We are not responsible for any damage caused by the installation. Thank you for choosing our product!