



PATENT PRODUCT


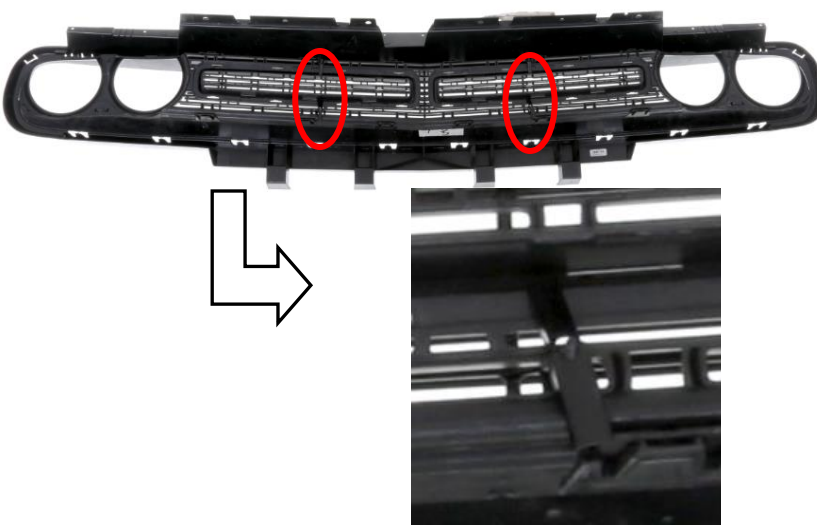
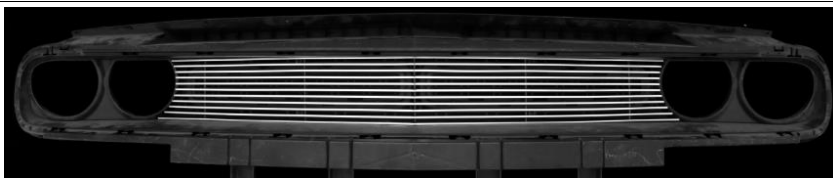
Grille Installation Instruction

Rev. 180601

Part#	GR04FFC36C/J	Application	FOR 2015-2018 DODGE Challenger
--------------	--------------	--------------------	--------------------------------

Parts List	Item	Part Name	QTY	Description	Item	Part Name	QTY	Description
	1	Billet Grille	1	Stainless steel	3	Toggle Nuts	4	6#-32UNC
	2	Stud	4	6#-32UNCX2				

Install Notes: Overlay Replacement Drill Cut

Step	Description	illustration
1	Identify the grille & hardware with parts list.	
2	Optional (for vehicles with black plastic cover under hood), Pop hood, remove the black plastic cover (on top of OEM grille / front panel) from vehicle. This will allow access to the rear of the grille shell. If you are still unable to access the rear, remove the grille shell and reattach after installation.	
3	Hold the billet insert up to the opening of the factory shell, and make sure that it is centered in the grille shell.	
4	Secure grille using the Toggle Nut from the back side of the OEM grille shell. Place screws through welded aluminum tabs on the grille.	
5	Make sure the grille is centered and tighten the fasteners.	
6	Reinstall the black plastic cover which was removed in step 2.	
7	Installation completed!!!	

The instruction here is for your reference only. You may need to bend the billet grille bars or tabs a little bit to adjust to fit. We strongly recommend the professional installer for best result.
 Please use masking tape and tape the OEM grille shell along the edge to protect your vehicle during installation.
 We are not responsible for any damage caused by the installation. Thank you for choosing our product!