



# PATENT PRODUCT


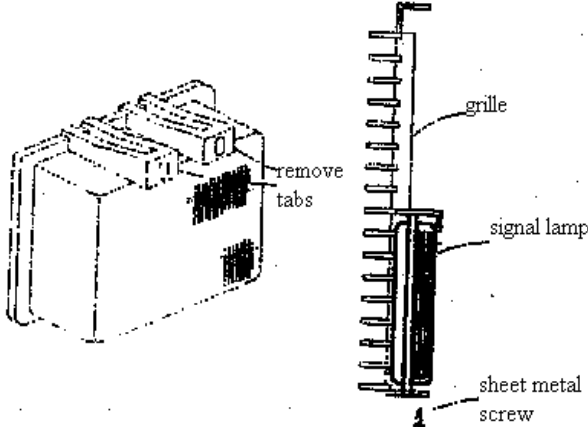
## Grille Installation Instruction

Rev. 180401

<b>Part#</b>	GR03HEJ02X/Y	<b>Application</b>	<b>For 1981-1988 GMC Suburban (With Stacked Lights)/</b> <b>1981-1988 Chevy Blazer (With Stacked Lights)/</b> <b>1981-1987 Chevy C/K Pickup (With Stacked Lights)/</b> <b>1981-1988 Chevy Suburban (With Stacked Lights)/</b> <b>1981-1987 GMC C/K Pickup (With Stacked Lights)/</b> <b>1981-1988 GMC Jimmy (With Stacked Lights)</b>
--------------	--------------	--------------------	--

	Item	Part Name	QTY	Description	Item	Part Name	QTY	Description
<b>Parts List</b>	1	Billet Grille	1	Stainless steel	3	Cross Head Tapping Screws	3	10x3/4 "
	2	U-Clip Nuts	3	10#				

**Install Notes:** Overlay  Replacement  Drill  Cut

Step	Description	illustration
1	Identify the grille & hardware with parts list.	
2	Optional (for vehicles with black plastic cover under hood), Pop hood, remove the black plastic cover (on top of OEM grille / front panel) from vehicle. This will allow access to the rear of the grille shell. If you are still unable to access the rear, remove the grille shell and reattach after installation.	
3	Remove headlight bezels and factory grill from truck retaining all screws and hardware. Remove turn signal lamps from factory grille.	
4	Cut tabs off of turn signal lamps and install lamps on billet grille as shown in illustration. Secure bottom of lamp to bottom of grille with a small sheet metal screw or pop rivet.	
5	Center the billet grille into the opening of the factory grille shell. Secure the bolt to the threaded holes on the front of the grille. Be sure the bolts are through the OEM grille shell.	
6	Install clip nut on each of the three tabs across the top of the grille.	
7	Make sure the billet grille is centered and tighten the fasteners. but do not over-tighten.	
8	Reinstall the black plastic cover which was removed in step 2.	
9	Installation completed!!!	

**Notes:** On 1981-82 GMC Trucks, the bottom grille attachment is different from 1983-87. On a 1981-82 truck, the billet grille must have a hole on each end of the bottom tab drilled to match the bottom outside tab mounting location.

The instruction here is for your reference only. You may need to bend the billet grille bars or tabs a little bit to adjust to fit. We strongly recommend the professional installer for best result. Please use masking tape and tape the OEM grille shell along the edge to protect your vehicle during installation. We are not responsible for any damage caused by the installation. Thank you for choosing our product!