



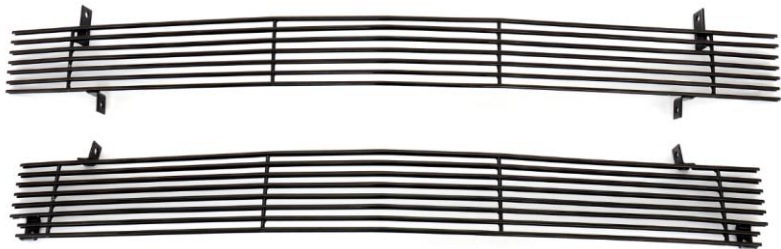
Grille Installation Instruction

Rev. 190501

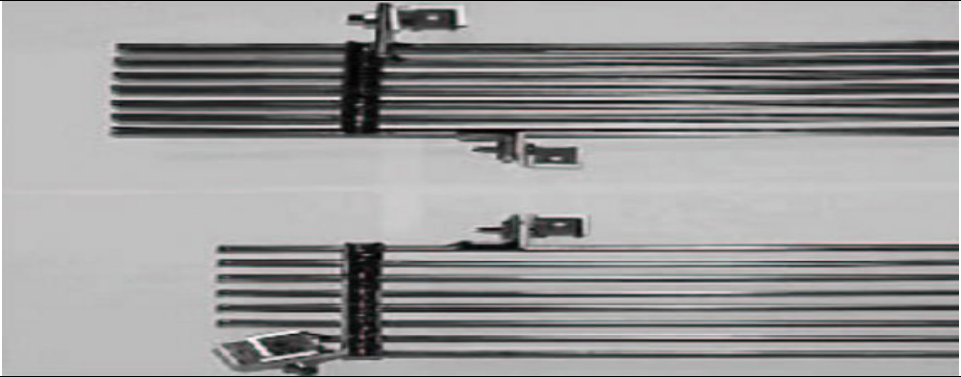

Part#	GR03HEC26 A/H	Application	For 2001-2002 Chevy Silverado 2500 Install Behind Opening/2001-2002 Chevy Silverado 3500 Install Behind Opening
-------	------------------	-------------	--

Parts List	Item	Part Name	QTY	Description	Item	Part Name	QTY	Description
	1	Billet Grille	2	Aluminum	5	Truss Socket Tapping Screws	2	10×3/4"
	2	L Shape Tabs	4		6	Truss Head Tapping Screws	4	10×3/4"
	3	U-Clip Nuts	12		7	Truss Head Tapping Screws	6	8 ×3/4"
	4	Hex Bolts	6	1/4" -20×3/4"	8	Keq Nuts	6	1/4" ×20

Install Notes: Overlay Replacement Drill Cut

Step	Description	illustration
1	Identify the grille & hardware with parts list.	
2	Remove the factory grille shell from the vehicle.	
3	Place the grille shell face down on a towel or soft surface that will not scratch the chrome. Remove the nuts holding the chrome part of the shell to the black part of the shell. Also, remove the center support.	
4	Using a hacksaw blade and handle carefully cut the two cross hatch sections out of the black part of the grille shell, leaving about 1/16" to an 1/8" of the cross-hatch pattern on the shell. Sand flush the two openings. Start with a course grit sand paper and go to a 220 grit sandpaper for a final finish.	
5	Paint the black part of the grill shell with flat black trim paint (Available at Auto Body Supply Stores), or color-match it to the body color of your truck.	
6	Lay the Billet Grilles face down on a towel that will not scratch the polish. The upper grille is the one with all cross bars the same length. Put the upper grille above the lower in front of you. The flat part of the crossbars indicates the top of each grille.	
7	Take two of the 1/4" X 1/4" L Tabs & install one U-clip nut provided on one leg each L tab. Install these L tabs to upper tabs of the upper Billet Grille with 1/4" hex head bolt and nuts provided. See photo below.	
8	Take the four 1 1/4" X 1/4" L tabs & install one U-clip nut provided on the short leg of the L tab. See photo below.	
9	Using the 1/4" nuts and bolts provided, fasten the long leg of the tab to the lower tabs of the upper billet grille, and to the upper tabs of the lower billet grille. See photo below.	
10	Take the two 1/4" X 1/4" L tabs & install one U-clip nut on each one. Install "L" -tabs to the lower Billet Grille lower tabs by inserting one Pan Head Phillips screw through the tab from the front of the Billet Grille on each side. See photo below.	

The instruction here is for your reference only. You may need to bend the grille a little bit to adjust to fit. We strongly recommend the professional installer for best result. We are not responsible for any damage caused by the installation. Thank you for choosing our product!

Part#	GR03HEC26 A/H	Application	For 2001-2002 Chevy Silverado 2500 Install Behind Opening/2001-2002 Chevy Silverado 3500 Install Behind Opening
11	Take two of the 1 1/4" X 1/4" L tabs & install the longest leg of the tab with a Hex Head bolt & nut to the tabs you just installed on the lower tabs of the Billet Grille.		
			
12	Place the grille shell face down on a surface that will not scratch the paint. Lay the upper & lower Billet Grilles over the openings. Center the upper Billet Grille both up & down & side to side over the upper opening in the grille shell. Mark the locations of the holes of the four tabs of the upper Billet Grille. Remove the upper Billet Grille & drill the four holes previously marked with a 1/4" drill bit. See figure below.		
13	Reinstall the upper Billet Grille using four of the flat head screws provided. See figure below.		
14	Now center the lower Billet Grille both up & down & side to side over the lower opening of your grille shell. Mark the locations of the four tabs of the lower Billet Grille. Remove the lower Billet Grille & drill the four holes previously marked, with a 1/4" drill bit. See photo below.		
15	Reinstall the lower Billet Grille using two of the flat head screws provided on the upper tabs of the lower Billet Grille. Fasten the lower tabs of the lower Billet Grille to the grille shell with two Hex Head bolts & nuts provided. See figure below.		
			
16	Installation completed!!!		

The instruction here is for your reference only. You may need to bend the grille a little bit to adjust to fit. We strongly recommend the professional installer for best result. We are not responsible for any damage caused by the installation. Thank you for choosing our product!