

Part#	GR03HEB11H	Application	94~99 Chevy Blazer / C/K Pickup / Tahoe / Suburban - Phantom Billet Grille
-------	------------	-------------	--

Parts List	Item	Part Name	QTY	Description	Item	Part Name	QTY	Description
	1	Billet Grille	1	Aluminum	3	Screws	12	8# × 2"
	2	Two-Hole Tabs	6		4	U-Clip Nuts	12	8#

Install Notes: Overlay



Replacement


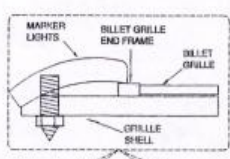
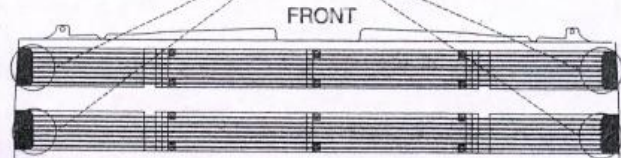
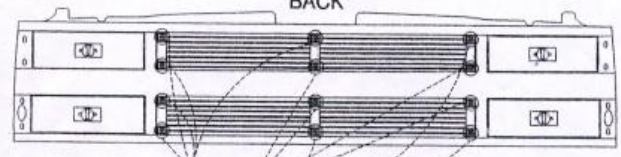
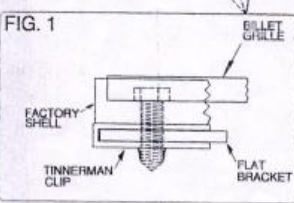


Drill



Cut



Step	Description	illustration
1	Identify the grille & hardware with parts list.	
2	Remove factory grille shell.	ILLUSTRATION 1 
3	Remove yellow marker lights.	
4	Take three long flat brackets and add a U-clip nut to each end. (See ill. 2, fig.1)	
5	Carefully, without scratching the grille or shell; insert upper billet grille into shell through the front leaving 1/8" of space all the way around. (See ill. 1.)	FRONT 
6	Evenly spaced, place brackets on the shell opening in the back of the grille and thread screws in from the front of the grille (See ill. 2, fig 1).	ILLUSTRATION 2 BACK 
7	Repeat steps 3-5 on the bottom grille.	
8	Re-install yellow marker lights.	FIG. 1 
9	Re-install factory grille shell.	
10	Installation completed!!!	

The instruction here is for your reference only. You may need to bend the billet grille bars or tabs a little bit to adjust to fit. We strongly recommend the professional installer for best result. Please use masking tape and tape the OEM grille shell along the edge to protect your vehicle during installation. We are not responsible for any damage caused by the installation. Thank you for choosing our product!