
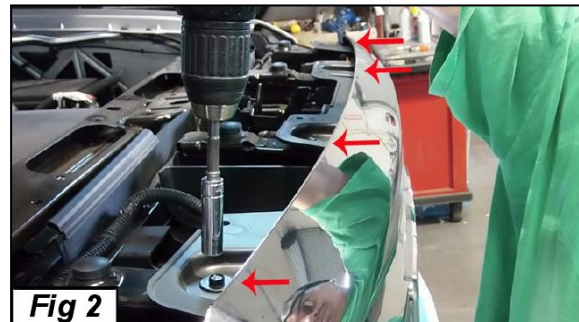


Part#	GR03FEI50A/H	Application	For 2014-2015 Chevy Silverado 1500 Main Upper
-------	--------------	-------------	---


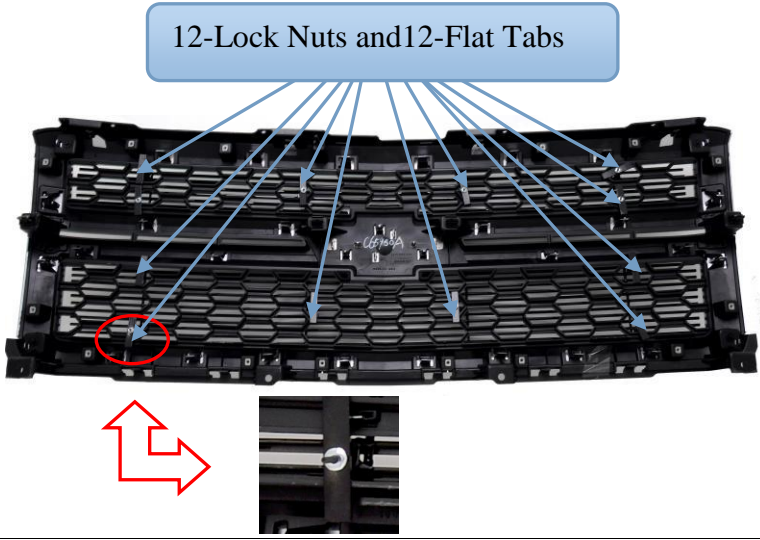

Parts List	Item	Part Name	QTY	Description	Item	Part Name	QTY	Description
	1	Upper Billet Grille	1	Aluminum	4	Lock Nut	12	6-32
	2	Lower Billet Grille	1	Aluminum	5	Flat Tab	12	/
	3	Bolt	12	6-32x2"				

Install Notes: Overlay Replacement Drill Cut

Step	Description	illustration
1	Identify the grille & hardware with parts list.	
2	Optional(steps 2-6): Open hood and remove the 12 plastic push clips securing the plastic radiator shroud to the radiator core. Carefully use a flat head screwdriver to release the clip up, you can now remove the clips. Once all clips have been removed the plastic radiator shroud can be removed. (Fig 1)	
3	Remove the four 10mm upper bolts securing the factory grille shell to the radiator support. (Fig 2)	
4	Remove the four 10mm upper bolts securing the lower section of the factory grille assembly. Two are located in the middle and once bolt on each opposite corner.(Fig 3)	
5	Remove the two 7mm bolts securing the lower section of the factory grille assembly to the front fender. Two are located in the middle and once bolt on each opposite corner. Repeat on opposite side. (Fig 4)	



The instruction here is for your reference only. You may need to bend the billet grille bars or tabs a little bit to adjust to fit. We strongly recommend the professional installer for best result.
 Please use masking tape and tape the OEM grille shell along the edge to protect your vehicle during installation.
 We are not responsible for any damage caused by the installation. Thank you for choosing our product!

Part#	GR03FEI50A/H	Application	For 2014-2015 Chevy Silverado 1500 Main Upper
6	<p>The front grille assembly can now be removed from the vehicle. With the help of an assistant on the opposite side gently tilt the grille assembly up while pulling away from the vehicle at the same time. The assembly is held in place by compression clips. You can now carefully place the grille face side down for the installation of you grille. (Fig 5)</p>	 <p>Fig 5</p>	
7	<p>Center the billet grille into the opening of the factory grille shell. Place bolts through the welded tabs on the front of the grille. Be sure the bolts are through the grille shell.</p>		
8	<p>Secure billet grille using the lock nuts and flat tabs from the back side of the grille shell.</p>		
9	<p>Make sure the billet grille is centered and tighten the fasteners.</p>		
10	<p>Installation completed!!!</p>		

The instruction here is for your reference only. You may need to bend the billet grille bars or tabs a little bit to adjust to fit. We strongly recommend the professional installer for best result. Please use masking tape and tape the OEM grille shell along the edge to protect your vehicle during installation. We are not responsible for any damage caused by the installation. Thank you for choosing our product!