



PATENT PRODUCT

Grille Installation Instruction

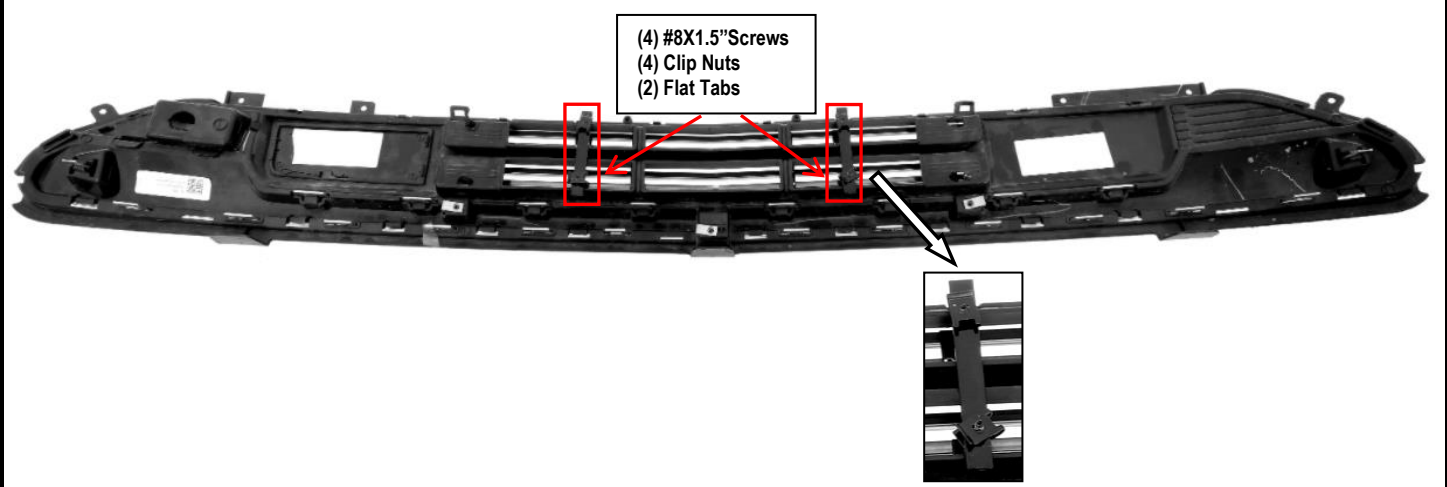
Rev. 20221201


Part#	C65280C&J&S	Application	For 2021-UP Chevy Tahoe Not For Z71
--------------	-------------	--------------------	-------------------------------------

	Item	Part Name	QTY	Description	Item	Part Name	QTY	Description
Parts List	#1	Billet Grille	1	Stainless Steel	#3	Clip Nuts	4	
	#2	Screws	4	#8X1.5"	#4	Flat tab	2	#8

Install Notes: Overlay Replacement Drill Cut

Step	Description	illustration
1	Identify the grille & hardware with parts list.	
2	Optional: pop hood, remove the black plastic cover (on top of OEM grille) from vehicle. If you are still unable to access the rear, remove the grille shell according to factory manual.	
3	Install the Clip Nuts onto the tabs. Thread a Screw in each hole of tab welded to the grille. Secure billet grille using the Clip Nuts from the back side of the grille shell.	



4	Make sure the insert is centered and tighten the hardware.	
5	Reinstall the plastic shroud with the fasteners removed in Step 2.	
6	Installation completed.	

The instruction here is for your reference only. We strongly recommend the professional installer for best result. We are not responsible for any damage caused by the installation. Thank you for choosing our product!