
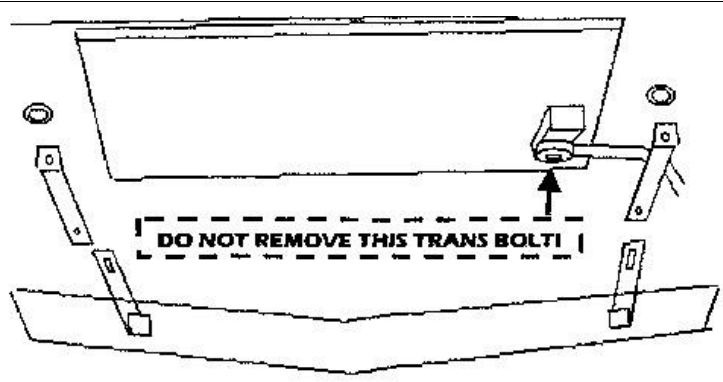


Part#	GR01FEC6 2J	Application	For 2005-2009 Cadillac SRX – Low Bumper Billet Grille
-------	----------------	-------------	--

Parts List	Item	Part Name	QTY	Description	Item	Part Name	QTY	Description
	1	Billet Grille	1	Stainless steel	5	Flat Washers	2	1/4"
	2	'L' Tabs	2		6	Lock Washers	2	1/4"
	3	Hex Bolts	2	1/4" -20 × 3/4"	7	Hex Bolt	1	M6×20
	4	Nuts	2	1/4" -20				

Install Notes: Overlay Replacement Drill Cut

Step	Description	illustration
1	Identify the grille & hardware with parts list.	
2	Remove the fasteners holding the grille shell to the header panel. Now remove the fasteners on each end of the grille. Unfasten the three clips holding the wire loom to the grille shell. Remove the grille shell from the vehicle.	
3	The diagram below is a view from the front, as if you were standing in front of the vehicle. Test fit the billet behind the bumper. The tabs welded towards the center of the billet are to keep the billet firmly in place. Bend the brackets forward and down until the billet sits snug to the bumper. Hold the billet in place with masking tape. Remove the hex bolts from the core support. Do not remove the trans cooler line hex bolt on the driver side. Attach the 'L' tabs and core support as shown. The longer bracket attaches to the core support on the driver side with the 10mm hex bolt. Tighten the hardware.	 <p style="text-align: right;">Driver Side</p>
5	Make sure the billet grille is centered and tighten the fasteners. but do not over-tighten.	
6	Reinstall the black plastic cover which was removed in step 2-3.	
7	Installation completed!!!	N/A

The instruction here is for your reference only. You may need to bend the billet grille bars or tabs a little bit to adjust to fit. We strongly recommend the professional installer for best result. Please use masking tape and tape the OEM grille shell along the edge to protect your vehicle during installation. We are not responsible for any damage caused by the installation. Thank you for choosing our product!